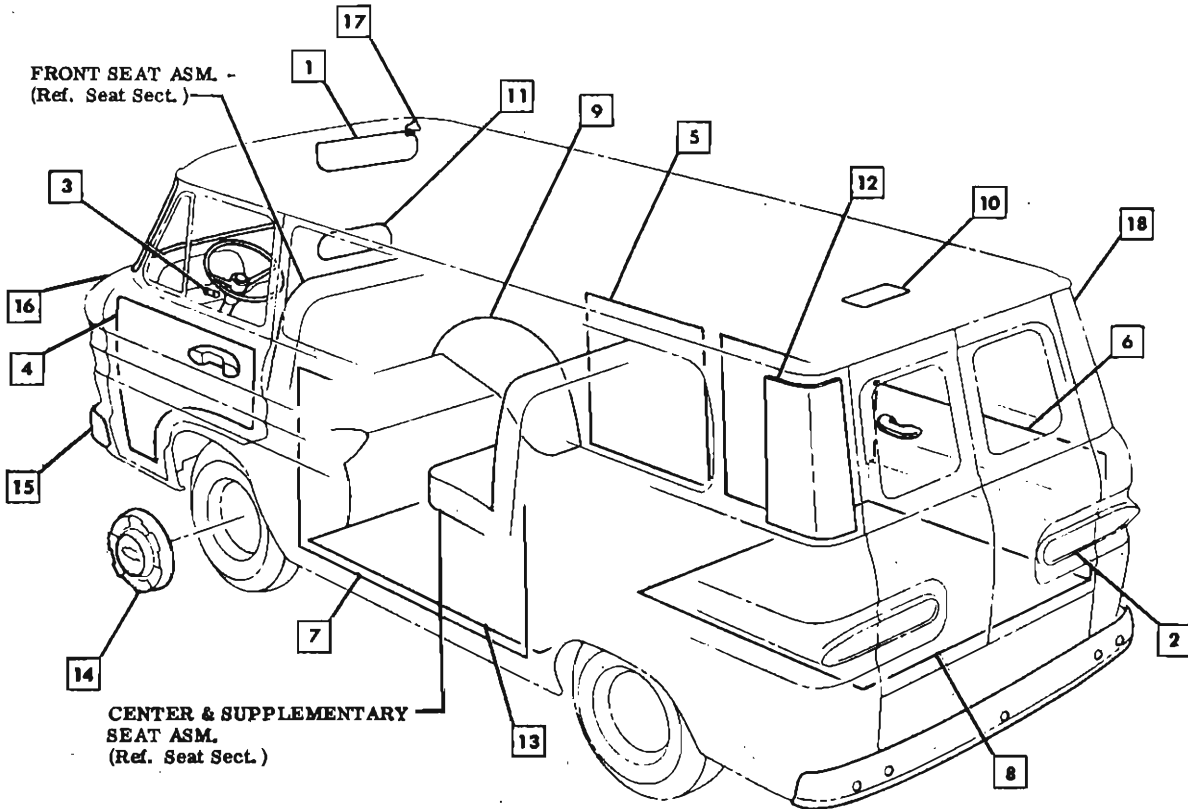




- 1 SHEET 3.00 SUNSHADES & FRONT DOOR ARM RESTS
- 2 SHEET 4.00 WINDSHIELD REVEAL & REAR DOOR REFLECTOR MOULDING
- 3 SHEET 5.00 CIGARETTE LIGHTER
- 4 SHEET 6.00 FRONT DOOR TRIM PANELS
- 5 SHEET 7.00 SIDE CARGO DOORS TRIM PANELS
- 6 SHEET 8.00 REAR BODY TRIM PANELS & ARM RESTS
- 7 SHEET 9.00 BODY SIDE TRIM PANEL
- 8 SHEET 10.00 ENGINE COMPARTMENT FLOOR MAT & SPARE TIRE COVER
- 9 SHEET 11.00 FRONT WHEELHOUSE MATS
- 10 SHEET 12.00 DOME LAMP - ROOF BOW FILLER
- 11 SHEET 13.00 DOME LAMP - ROOF BOW FILLER

- 11 3782094 DOOR ASM. - INSTRUMENT PANEL COMPARTMENT
- 12 TRIM PANEL - BODY SIDE REAR - INNER
3787541-2 (RED) 3787543-4 (BLUE)
3787545-6 (GREEN)
- 13 MAT - REAR FLOOR (06)
3786920 (CHARCOAL) 3786924 (BLUE)
3786922 (RED) 3786925 (GREEN)
- 14 3780115 HUB CAP
- 15 3777356 BUMPER - FRONT (06)
3777357 BUMPER - REAR (06)
3774573 BOLT
- 16 3774786 PANEL ASM. - BODY FRONT
Same as Regular Production
- 17 3788024 PANEL ASM. - ROOF
- 18 3788011 BODY SIDE ASM. CHART



CHEVROLET MOTOR DIVISION				GENERAL MOTORS CORPORATION			
DATE	SYM.	REVISION RECORD	ECR	DR.	CK.		
12-1-60	12	REDRAWN & REVISED	31802, 28906	DP		4-7-61	13 WAS (9 PANELS) 3788025 - 21, 23, 29, 30, 41, 37, 38
							1961V-372

SECT.	SHEET	MODELS:	DP
431	2.00	R-10	Ref. Prelim. 1.00
TITLE: INDEX - DELUXE BODY EQUIPMENT			ECR 22093 5-6-60