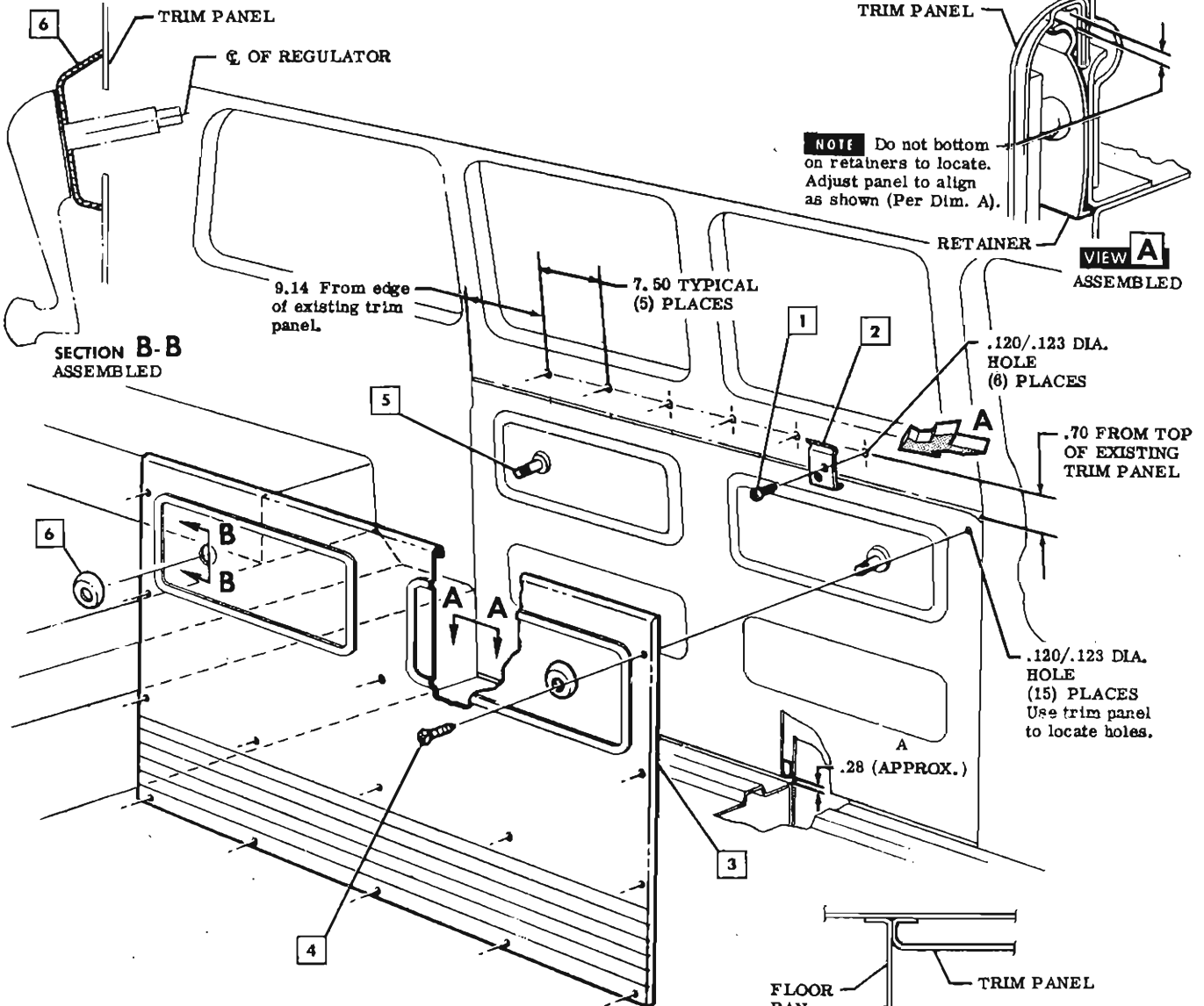




- ▲ 1 161857 SCREW
- 2 3788817 RETAINER
- 3 BODY SIDE TRIM PANEL ASM. L. H.
3787527 (RED)
3787529 (BLUE)
3787531 (GREEN)
3787525 (SILVER)

- ▲ 4 162402 SCREW
- 5 3787585 REGULATOR ASM. -REAR
3787588 REGULATOR ASM. -FRONT
- 6 3787520 ESCUTCHEON - Position with shallow section downward as shown in Section B-B.



▲ 10-14 LBS. IN.

SECTION A-A ASSEMBLED

CHEVROLET MOTOR DIVISION					GENERAL MOTORS CORPORATION						
DATE	SYM.	REVISION RECORD	ECR	DR.	CK.	DATE	SYM.	REVISION RECORD	ECR	DR.	CK.
8-17-60	1	REDRAWN & REVISED	30572	DP	J.	12-2-60	2	REDRAWN & REVISED			3
DP RAP						MODELS: 1206					
ECR 28906 7-15-60						TITLE: BODY SIDE TRIM PANEL L. H.					
						SECT. 431			SHEET 9.00		

1961V-379