

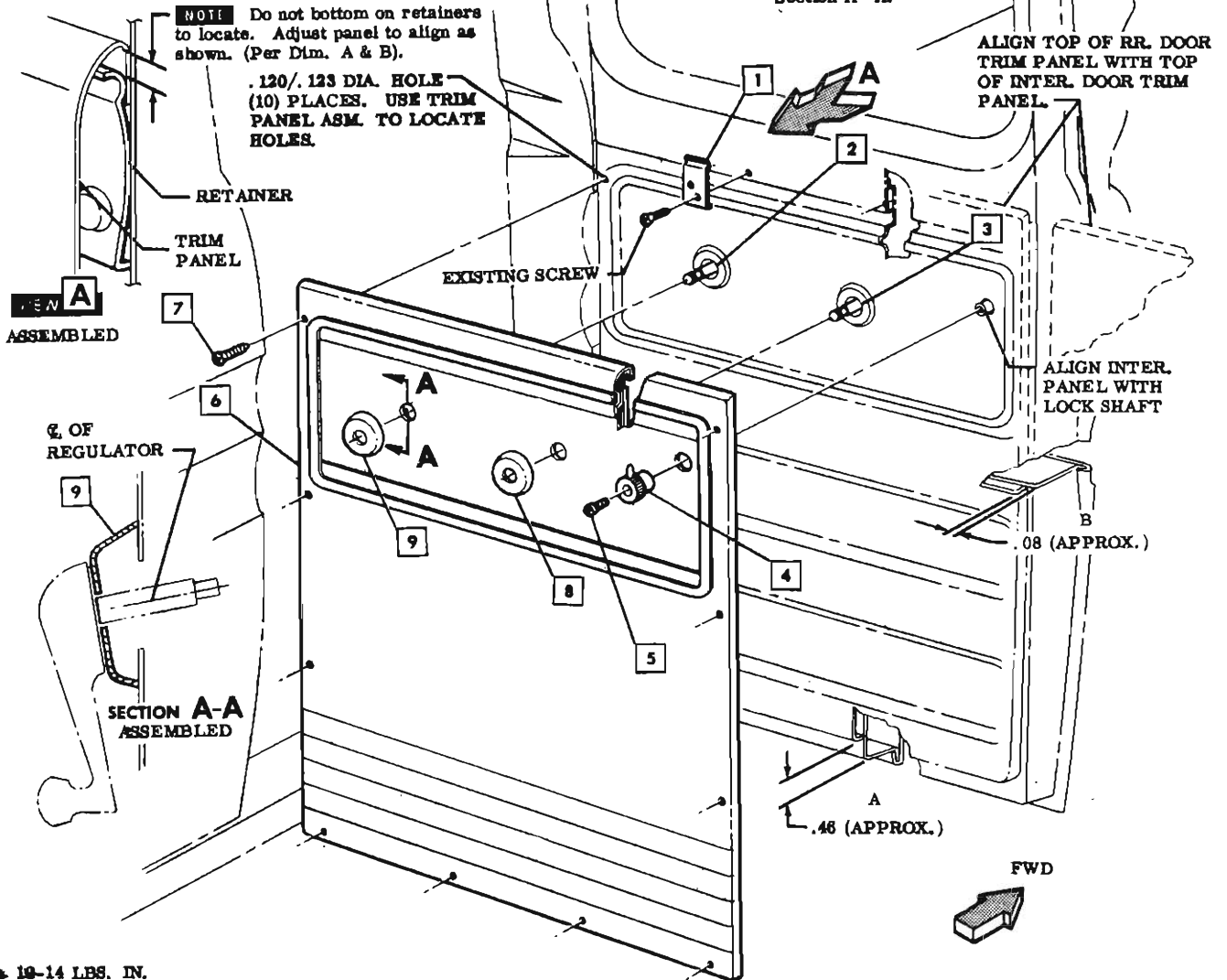


- 1 3788817 RETAINER
- 2 3787585 REGULATOR ASM. - INTER. DOOR
- 3787586 REGULATOR ASM. - REAR DOOR
- 3 3787631 CONTROL ASM. - R. P. O. 645 - INTER.
- 3787632 CONTROL ASM. - R. H. - INTER.
- 4 3813272 KNOB
- 5 159341 SCREW

- 6 TRIM PANEL ASM. INTER. & REAR DOORS - LOWER

	SILVER	RED	BLUE	GREEN
RPO 431 INTER.	3787310	3787342	3787344	3787346
REAR	3787348	3787350	3787352	3787354
RPO 645 INTER.	3787309	3787341	3787343	3787345
REAR	3787347	3787349	3787351	3787353

- 7 162402 SCREW
- 8 3787316 ESCUTCHEON
- 9 3787315 ESCUTCHEON - Position with shallow section downward as shown in Section A - A.



CHEVROLET MOTOR DIVISION				GENERAL MOTORS CORPORATION			
DATE	SYM.	REVISION RECORD	ECR	DR.	CK.		
3-10-61	3	WAS 3787652 KNOB & DRWG. REVISED	35355	KC		1961V-377	
TH	JL	MODELS: 1206 & RPO 645				SECT.	SHEET
ECR 28906	7-15-60	TITLE: SIDE CARGO DOORS-TRIM PANEL ASM. - LOWER				431	7.00