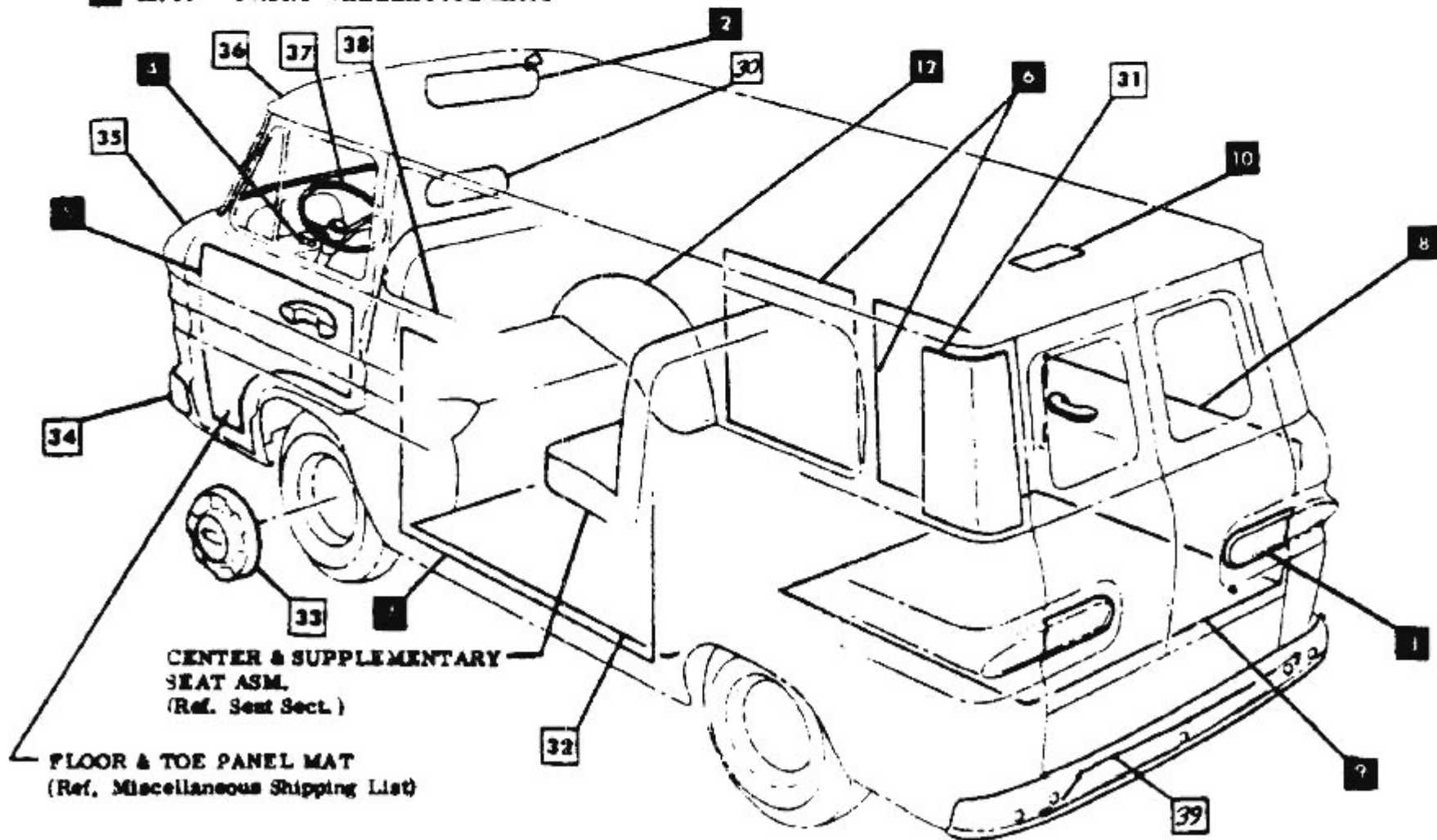


SHEET	TITLE
1.00	CONTENTS DELUXE BODY EQUIPMENT
2.00	SUNSHADE & FRONT DOOR ARM RESTS
3.00	WINDSHIELD REVEAL & REFLECTOR MOULDING
4.00	CIGARETTE LIGHTER & ASH TRAY
5.00	FRONT SIDE DOOR - TRIM PANEL LOWER
6.00	INTER. DOORS - TRIM PANEL LOWER
6.50	SIDE CARGO DOOR (REAR) EXT.
7.00	BODY SIDE TRIM PANEL L. H.
8.00	REAR BODY TRIM PANEL & ARM RESTS
9.00	ENGINE COMPARTMENT FLOOR MAT & SPARE TIRE COVER
10.00	DOME LAMP & ROOF BOW FILLER
11.00	
12.00	FRONT WHEELHOUSE MATS

- 30 3844607 DOOR ASM
- 31 3787540 BODY SIDE REAR INNER TRIM
CHART
- 32 3788918 MAT - REAR FLOOR (06) CHART
- 33 383983 HUB CAP
- 34 3777356 BUMPER - FRONT (06)
3777357 BUMPER - REAR (06)
3774573 BOLT
- 35 3774786 PANEL ASM. - BODY FRONT
Same as regular production
- 36 3788024 PANEL ASM. - ROOF
- 37 765303 STEERING WHEEL ASM.
INSTRUCTION & COLOR CHART
- 38 3788011 BODY SIDE ASM. CHART
- 39 GRILLE ASM (06)
(SEE SECTION 11-13)



CHEVROLET MOTOR DIVISION				GENERAL MOTORS CORPORATION			
DATE	SYM.	REVISION RECORD	ECR	DR.	CK.		
3-27-64	1	SHEET 6.50 ADDED		HB	TD		
REL. 6-3-63 MC REF. ARLIM 12						1964V-365	
MODELS: R-10						SECT.	SHEET
TITLE: DELUXE BODYEQUIPMENT - CONTENTS						Z60	1.00