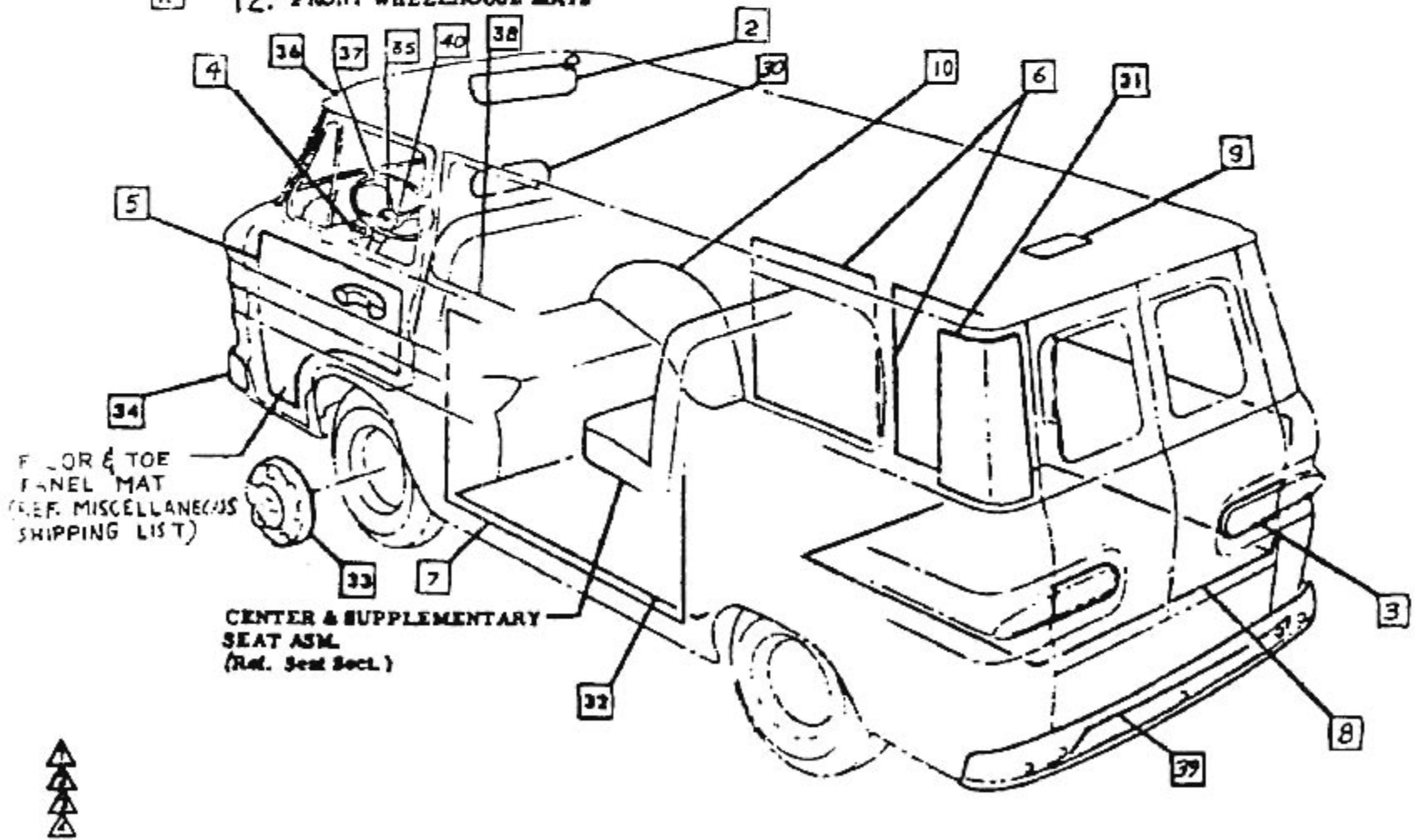


SHEET	TITLE
1.	CONTENTS DELUXE BODY EQUIPMENT
2	SUNSHADE & FRONT DOOR ARM REST DIMENSIONS
3	WINDSHIELD REVEAL & REFLECTOR MOULDING
4	CIGARETTE LIGHTER & ASH TRAY
5	FRONT SIDE DOOR - TRIM PANEL LOWER
6	SIDE INTER. (REAR DOORS - TRIM PANEL LOWER
7	SIDE CARGO DOOR (REAR) EXTENSION
8	BODY SIDE FRONT TRIM PANEL L.H.
9	ENGINE COMPARTMENT FLOOR MAT & SPARE TIRE COVER
10	DOME LAMP & ROOF BOW FILLER
11.	
12	FRONT WHEELHOUSE MATS

- ① 30 3844607 BOOK ASM
- ① 31 3787340 BODY SIDE REAR INNER TRIM
CHART
- ① 32 3788818 MAT - REAR FLOOR (06) CHART
- ① 33 3637783 HUB CAP (06)
- ① 34 3771354 BUMPER - FRONT (06)
3771357 BUMPER - REAR (06)
3774573 BOLT
- ① 35 3742528 CAP ASM. HORN BUTTON
- ① 36 3788024 PANEL ASM. - ROOF
- ① 37 3742500 STEERING WHEEL ASM.
INSTRUCTION & COLOR CHART
- ① 38 3782011 BODY SIDE ASM. CHART
- ① 39 GRILLE ASM (06)
(SEE SECTION 11-13)
- ① 40 3840852 LEVER DIRECTIONAL
SIGNAL CONTROL



FLOOR & TOE
PANEL MAT
(REF. MISCELLANEOUS
SHIPPING LIST)

CENTER & SUPPLEMENTARY
SEAT ASM.
(Ref. Seat Sect.)



CHEVROLET MOTOR DIVISION, GMCO				UPC	DATE	SYM	REVISION RECORD	AUTH	DR	CR
TITLE DELUXE BODY EQUIPMENT- CONTENTS				Z60						
MODEL R-10				1.						
DWG DATE	JA TD	REF. 1.00	L- L-							
5-1-64		L-	L- L-	SHEET						