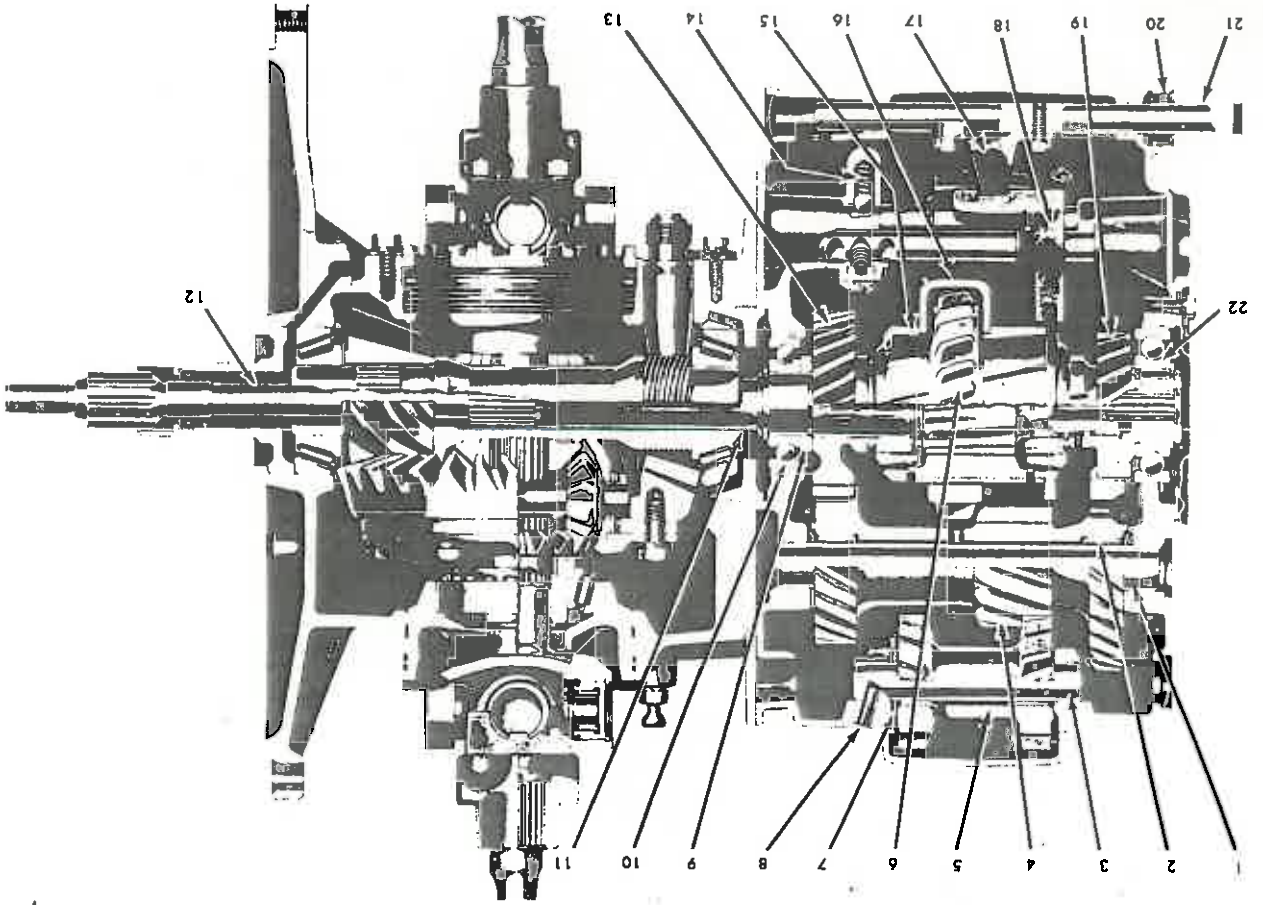


THE VAIR STREET JOURNAL

WESTERN PENNSYLVANIA CORVAIR CLUB

JULY, 1984



THE WESTERN PENNSYLVANIA CORVAIR CLUB WANTS YOU!!

MEMBERSHIP APPLICATION

That sure is a great little car you're driving. In fact the Corvaire is probably the most courageous, creative, and potentially the best engineered automobile to come out of Detroit in modern times. As you may already know, a two year study conducted by the U.S. Dept. of Transportation, and suggested by Mr. Ralph Nader, concluded: "The Corvaire quantitatively meets or exceeds standards set by contemporary automobiles in stability, cornering, and roll-over tests." It is also the only car ever proven safe in a court of law!!!

Next time a fellow Corvaire driver waves to you, hold your head high and wave back, since you have something in common. "The Vair" however, is far from a common car. They are now quite rare, gaining in value, and have so many sensible features when compared to today's plastic and cardboard cars. Isn't it great *not* spending money on antifreeze and snow tires for example!

We are a chartered chapter of "The Corvaire Society of America" (CORSA), a rapidly growing international organization now boasting over 8,000 members. Like all automobile marque clubs of international stature, CORSA requires all chapter members to also belong to CORSA, the international Corvaire club.

The long range goals of both clubs is simply to increase the enjoyment and preservation of the Corvaire automobile. We provide - technical and historic information, parts procurement, professional publications, and an international classified ad service. We sponsor and participate in - Corvaire shows, rallies, time trials, autocross events, mini conventions, and national conventions. We love driving to local points of interest, touring style, in Corvaire convoys. We have parties, picnics, and dinners, there's always plenty of Corvaire talk, and all of our events are family affairs. Our membership includes people from every imaginable age group, background, and profession. Our chapter provides a twelve page monthly newsletter, and CORSA provides a beautiful monthly magazine named "The CORSA Communiques".

We would love to welcome you, your family, and your Corvaire into our club. Simply complete the attached application and mail it to Al Friend, WPCC Liaison. Remember, the nicest people drive Corvaire, and "You're Always Ahead With Your Engine Behind." Hope to see you soon.

MEETINGS: The 4th Tuesday of every month, 8 p.m. at the Good Shepherd Lutheran Church, Monroeville, Pennsylvania

DUES: LOCAL \$10 per calendar year or \$1 for each remaining month of the current year. \$1 each for two additional immediate family members. Payable to WPCC.

CORSA Our charter requires that all WPCC members, also belong to CORSA, our national organization. New members must enclose a completed CORSA application and a check payable to CORSA, Inc. for \$22. If you already belong to CORSA, then send only WPCC information.

MAIL TO: W.P.C.C. c/o Al Friend, 3677 Forbes Trail Dr.
Murrysville, PA 15668 (412)325-2588

NAME _____ AGE _____ OCCUPATION _____ PHONE _____
ADDRESS _____ ZIP _____ DATE _____
CORSA MEMBER? YES NO CORVAIRES OWNED, YR.: MODEL _____
RECOMMENDED BY _____ AMOUNT PAID _____ OTHER CAR CLUBS _____
OTHER INFORMATION: _____

NEXT MEETING:

Same Time: July 24, 1984

Same Place: 8:00 P.M.

Good Shepherd Lutheran Church, Monroeville

MINUTES OF WPCC MEETING MAY 22, 1984

The meeting was called to order by President Archie Miller at 8:30. Roll was called: Present-A. Miller, R. McCune, D. Baker, D. Smith, A. Abramson. The Treasurer's report was read.

Old Business: Upcoming convention was discussed. Reminder to vote for CORSA Directors. Bill Artzberger gave rundown on picnic at Sweet's. Good time, food and ? weather. Thanks to Charlotte (and John and children)! Don Baker discussed rally at the School for the Blind. Motion made and approved to give financial help to people who set up club events. New members and guest present: George and Ruth Flemmigan, Ken Brown. Welcome!

New Business: As of May 1 the Corvaire is a milestone car, according to Bill Artzberger's records. Voted that we go by bus at a cost of \$15-\$20 per person to Whitepost. First to sign up will get bus seats. Herb Horn reported that June 9 is the Balloon Race in Mt. Lebanon with car show. June 16 is Sewickley Car Show. Don Baker commented on two auto-crosses, one at Three Rivers Stadium on Monday, May 28 and one on June 17 at V.W. Picnic. Meeting was adjourned at 9:45 p.m. 50/50 won by Judy Jones.

MINUTES OF WPCC MEETING ON JUNE 26, 1984

The meeting was called to order by President Archie Miller. Present were Vice President, Secretary, Treasurer and Board Members A. Abramson, D. Baker, H. Horn and D. Smith. The Secretary and Treasurer's reports were

read and approved. Bob McCune mentioned the contract for the bus to Whitepost which must be signed. A motion was made and approved to send a \$65 deposit. Bill Artzberger said West Virginia club members showed an interest in going along. The bus will leave no later than 7 a.m. from Beulah Presbyterian Church.

Wayne Jones gave a report on the Hill Billy Hullahaloo with 14 cars in the Concours. A letter was read from Jim Lane thanking the Club for participating in the Anchors Away Parade. It included a check for \$25 for the Club Treasury.

There were two WPCC winners in the Mt. Lebanon Car Show: #1 overall to Dick Brier; #2 People's Choice to Dale Smith. Congratulations!

New Business: There are applications available for the Conway Area Jaycees car show on July 14.

Terry Stankus

NEW MEMBER

Mrs. Vida Kerr, Murrysville, PA (412-327-3897). Vida is a 70-year-yöding homemaker who drives a '65 Monza Cp. and also owns two early model parts cars which are for sale. Mrs. Kerr is rejoining WPCC after a few years absence. We're glad to get you back.

CORVAIR CONVOY TO NATIONAL CONVENTION

by Al Friend

Well, gang, it looks like an 8 a.m. sharp departure from Howard Johnson's lot in Monroeville, on Wednesday, July 25. We will proceed east on Rt. 22, then north on Rt. 220, to exit 23 of I-80, finally east on I-80 to a rest stop (38 miles east of Exit 23) where we will join with our northern and eastern members about noon. Hopefully CORSA members from the clubs west of us

will also arrive by noon. Potentially this could develop into a giant Corvaire caravan like the one in 1979 which stunned Detroit. Try to be at HoJo's a bit early so we can depart on time, and for heaven's sake, bring the C.B. on this one!!!

CRAFTON/INGRAM PARADE, SATURDAY, JUNE 29

Rain and parades somehow seem to be synonymous for our Corvaire Club. It certainly appeared as though we'd be washed out but five optimistic WPCC members braved the overcast sky to keep their promise to parade their cars.

The Rockhill family, Dale Smith family, Brills, Horns and Artzbergers represented our Club. Our WPCC banner was displayed on the front of the Smith convertible, of course. Many positive comments were heard about our beautiful old cars. They gather more recognition as time goes by. A huge food and flea market was set up and the end of the route. Finally, the skies burst but all was not lost as we were invited to see the Smith's beautiful new 1961 Monza Coupe.

WHITE POST BUS TOUR

by Bob McCune

Hurry, hurry--Even though the White Post bus trip is not until October 20, reservations are coming in--28 received at the June meeting. If you want to be among the 44 on the bus, get your reservations in as soon as possible. See Bob McCune at the July meeting or phone him at 856-9392.

The exact cost will not be known until we see if the bus will be full, but be prepared to pay Bill Brill no later than the September meeting. Your additional costs will be lunch and dinner. More information at the meetings and in the Vair Street Journal.

Kennywood

This affair boasts no Concors, no Rally, no Gymkhanna, no Slalome and no Banquet. Fun and relaxation are the order of the day, along with a hilarious club roll-call.

There will be live entertainment, circus acts and amusement rides. Snack or dine in the park or bring a picnic basket. Pavillion #3 (behind the Penny Arcade) is ours for the day.

The Grand Finale will be a giant Corvair Parade through the park at 4:00 p.m. Surprise awards will be given.

Mail \$12.00 pre-registration fee to:

BILL ARTZBERGER
305 GOLF DRIVE
PITTSBURGH, PA 15229
(412) 364-6842

AUGUST 11, 1984

Place:
Kennywood Park,
West Mifflin, PA

Time:
11:00 a.m. to 11:00 p.m.

Purpose:
To gather Corvair people and Corvairs together for a day of fun and relaxation! \$12.00 fee includes family entrance into the park, 56 ride tickets (average three tickets per ride) plus parking your Corvair free inside the park in lot #1, adjacent to the Lazer Loop. More ride tickets will be available at discount rates.

FALL FAMILY FLING

A special 3 for 1 event--September 15 (Saturday)
1. **Forb Necessity** (George Washington, 1754)
2. **Summit Inn** (view and food, 1984)
3. **Laurel Caverns** (early limestone)
Next issue will have full menu and descriptions (centerfold, no less). Save that date!

MISCELLANEOUS OBSERVATIONS

At the June meeting, there were nine Corvairs in the parking lot--a step in the right direction. **Driving does** not hurt them.

FOR SALE

Two red Corvairs--together: 1961 Monza, 4-speed, 2-door, 102 H.P. High Comp. engine, 900, no known mechanical problems; and 1962 700 2-speed, salt-free body from Kansas via W. Va. but cracked transmission. Owners had planned to combine the two but have been transferred. To see, please call 327-3897. Both cars for \$1200. **Vida Kerr.**

1961(2) Corvair Van--many miles. Needs much work for restoration, better for parts. Best offer over \$300. Call 244-8053, ask for Bob during business hours.

'60 700 Sedan. Auto., 79,000 miles, very good body, a strong runner. \$850 or best offer. Red/red. John Blake, RD 2, Box 1403, Leechburg, PA 15656, (412-295-3146).

Last chance to own a rust-free '66 110/PG Monza 4-door--tinted glass, positraction 3:27 gears. Needs some mechanical work and paint. Not for sale at twice the asking price after August, 1984. **Bill Artzberger. 364-6842.**

Front cross-members \$100 up. Engines or parts of engines \$25 to \$250. Body parts \$10 to \$150. Alternators \$10 up. Much much more. Call for information--**Bill 364-6842; Wayne 882-2109.**

Name _____

Address _____

City/State/Zip _____

Registration must be received before AUGUST 1st DEADLINE



158
Western PA. Corvair Club
3677 Forbes Trail Dr.
Murrysville, PA 15668

MEETING HELD
4TH TUESDAY
EACH MONTH
8:00 P.M.

GOOD SHEPHERD
LUTHERAN
CHURCH

OLD WM. PENN HWY.

SCHOOL

RT. 48

PGH.

PARKWAY BY-PASS

MONROEVILLE
EXIT

MURRYSVILLE

BUICK

PLUM EXIT

PGH.

BUS. RT. 22

MURRYSVILLE

HOWARD
JOHNSON'S

TURNPIKE
EXIT



12/31/83

KEY # 52 A

AL, CAROL FRIEND
3677 FORBES TRAIL
MURRYSVILLE, PA.

15668